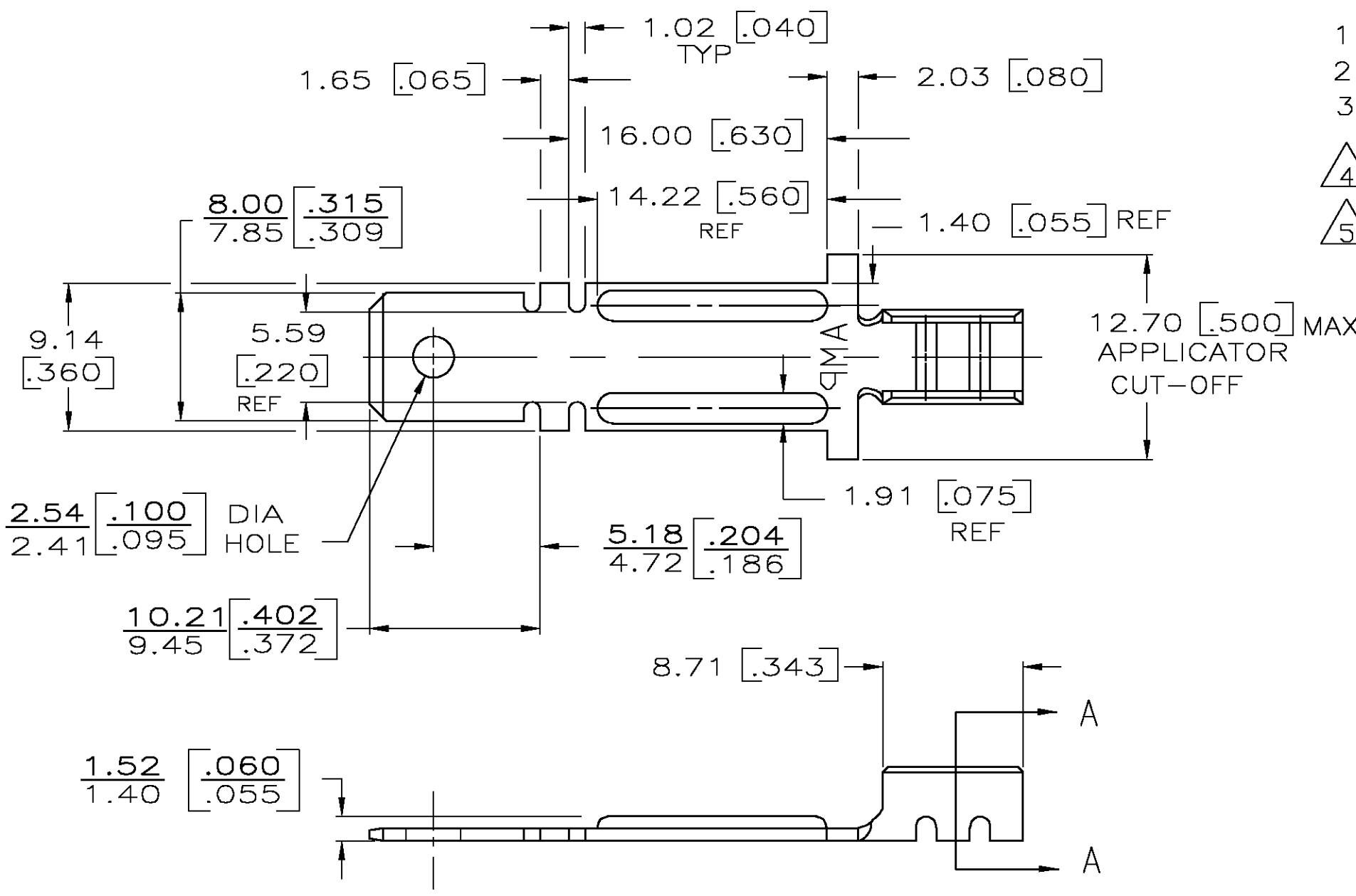
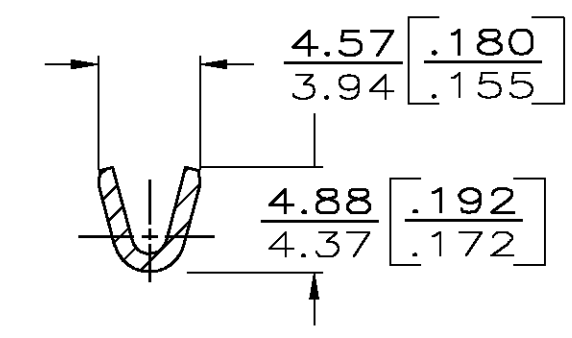


THIS DRAWING IS UNPUBLISHED. RELEASED FOR PUBLICATION
 © COPYRIGHT BY TYCO ELECTRONICS CORPORATION. ALL RIGHTS RESERVED.

LOC	DIST	REVISIONS					
		P	LTR	DESCRIPTION	DATE	DWN	APVD
AF	50		J	REV PER 0G3A-0071-05	15FEB05	JR	KR



- 1 DIMENSIONS IN BRACKETS ARE IN INCHES.
- 2 CONTINUOUS STRIP ON REELS.
- 3 SEE SHEET 2 FOR SUGGESTED LOCKING IN CERAMIC.
- 4 REVERSE REELING OF 63300-1.
- 5 PRELIMINARY - NOT FOR PRODUCTION



SECTION A-A

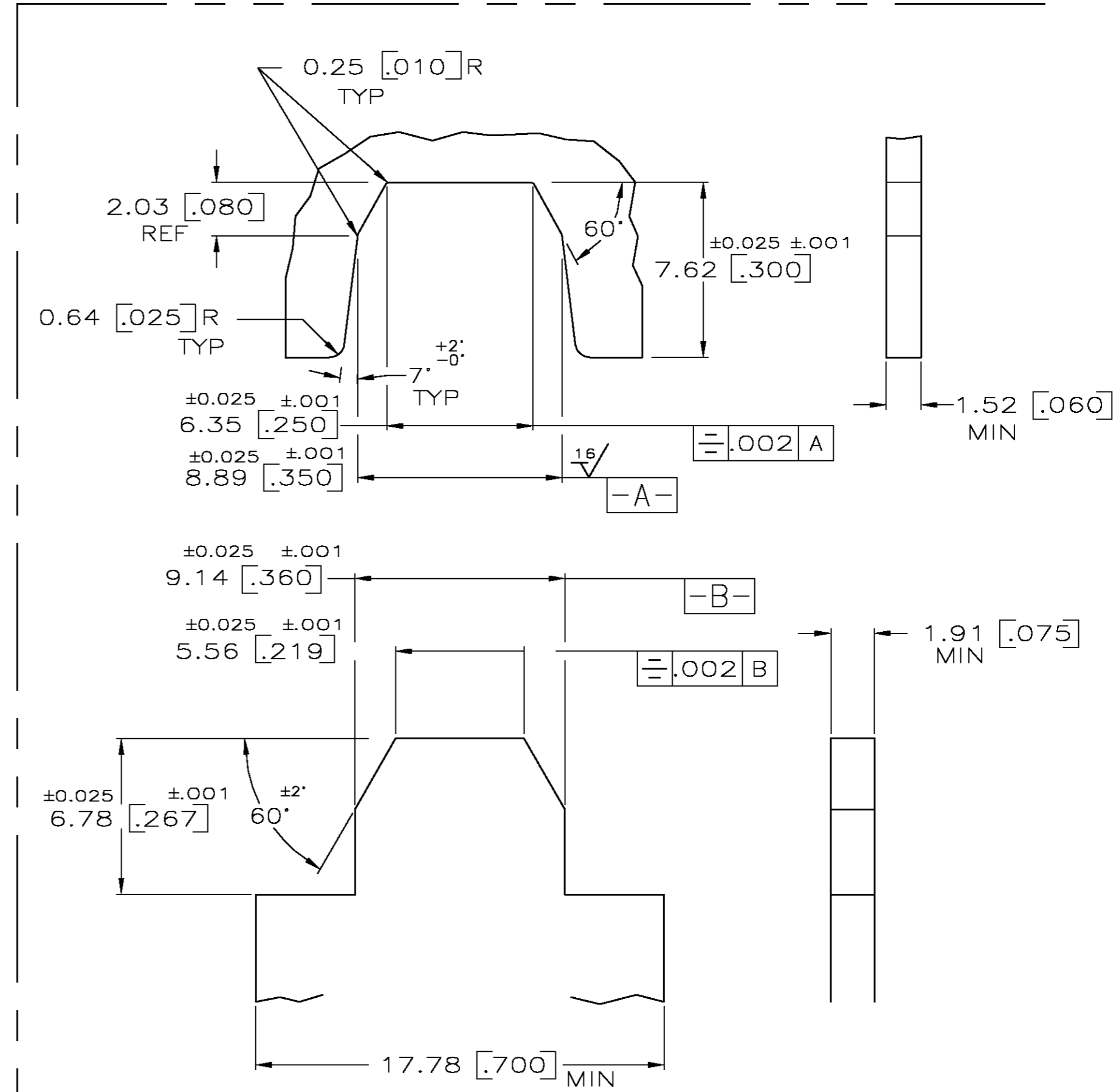
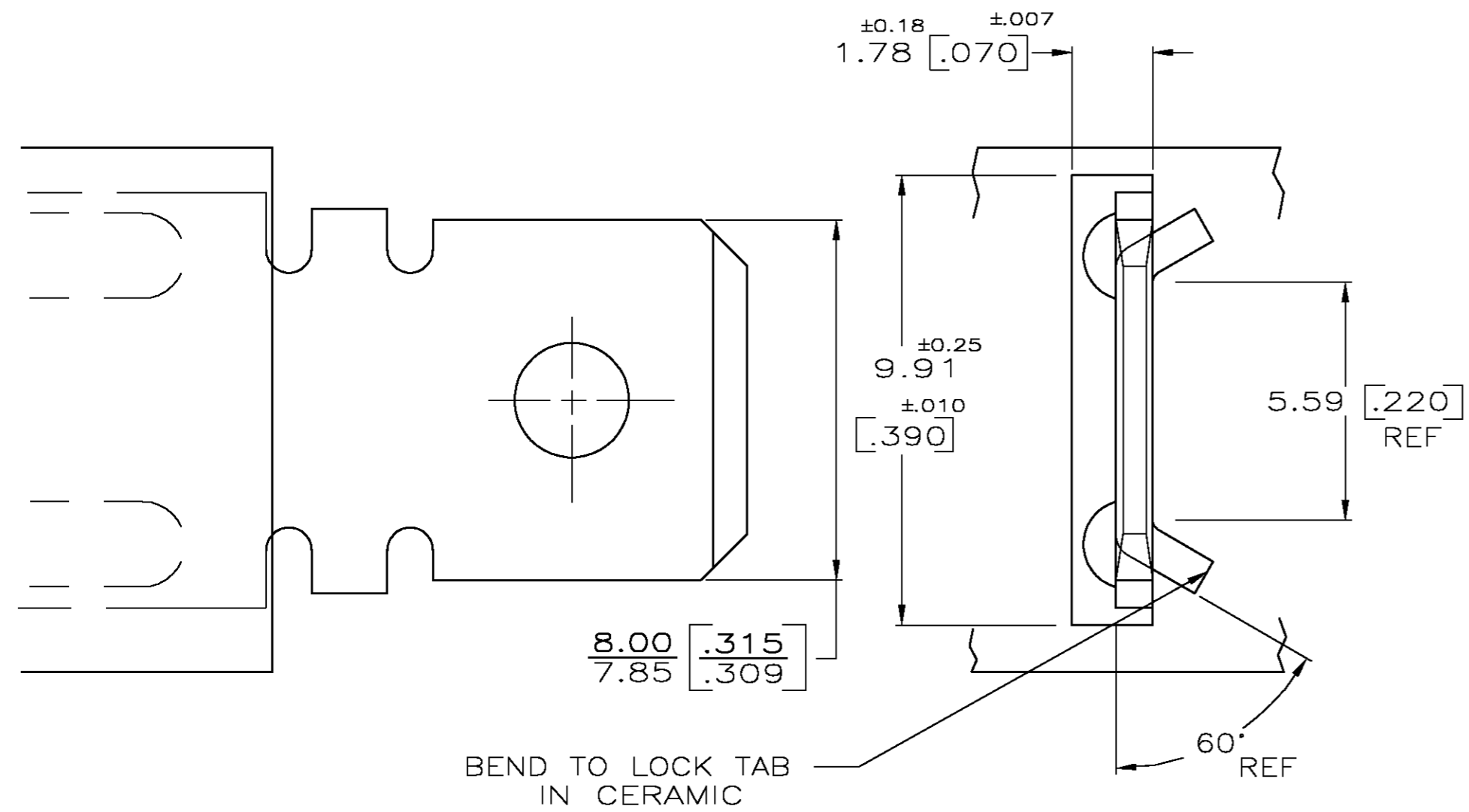
OBSOLETE

TIN	H02 BRASS	[22-15] 0.30-1.45 MM DIA COPPER	63300-3
NICKEL	CR STEEL	[22-15] 0.30-1.45 MM DIA NI-CHROME	63300-2
NICKEL	CR STEEL	[22-15] 0.30-1.45 MM DIA NI-CHROME	63300-1
FINISH	MATERIAL	WIRE SIZE	PART NO.

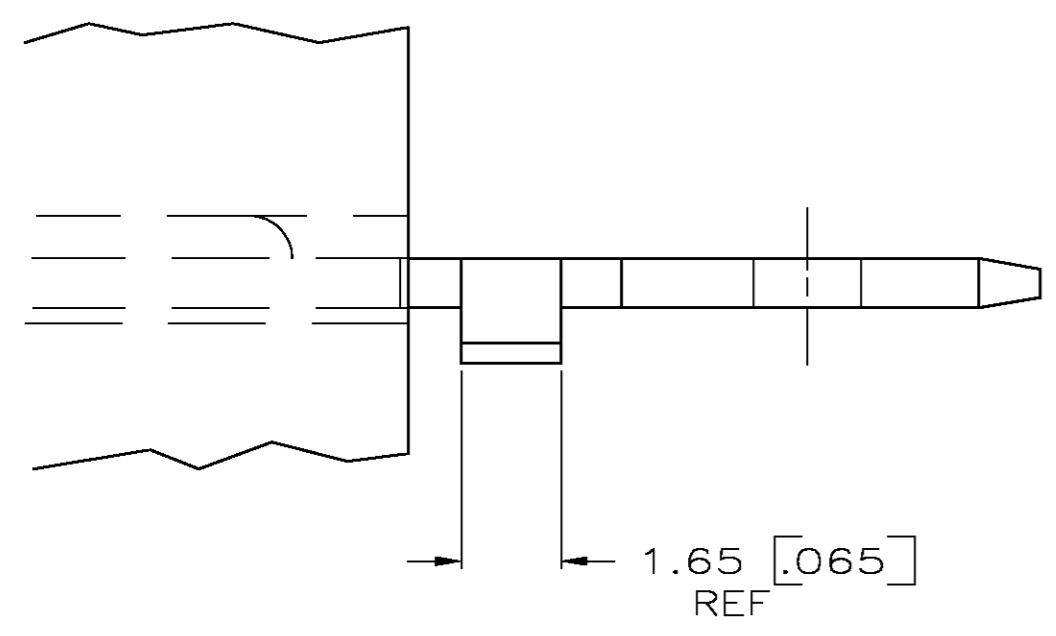
THIS DRAWING IS A CONTROLLED DOCUMENT.		DWN JR RUTH 5/9/86	Tyco Electronics Corporation Harrisburg, Pa 17105-3608	
DIMENSIONS: MM [INCHES]		CHK G YETTER 5/20/86		
TOLERANCES UNLESS OTHERWISE SPECIFIED:		NAME TAB, FASTON, .312 SERIES		
0 PLC ± - 1 PLC ± - 2 PLC ± - 3 PLC ± 0.25[.010] 4 PLC ± - ANGLES ± -		PRODUCT SPEC -		
MATERIAL SEE TABLE		APPLICATION SPEC 114-2097		
FINISH SEE TABLE		WEIGHT -		
		SIZE A3	CAGE CODE 00779	DRAWING NO C-63300
		CUSTOMER DRAWING		RESTRICTED TO -
		SCALE 3:1	SHEET 1 OF 2	REV J

THIS DRAWING IS UNPUBLISHED. RELEASED FOR PUBLICATION
 © COPYRIGHT BY TYCO ELECTRONICS CORPORATION. ALL RIGHTS RESERVED.

LOC	DIST	REVISIONS			
P	LTR	DESCRIPTION	DATE	DWN	APVD
AF	50	SEE SHEET 1	-	-	-



CLINCHERS
 MATL: AISI 3250 Rc 53-55
 TOLERANCES: ±0.13 ±[005]



OBSOLETE	5 63300-3
	63300-2
	63300-1
	PART NO.

THIS DRAWING IS A CONTROLLED DOCUMENT.		DWN	JR RUTH	5/12/86	 Tyco Electronics Corporation Harrisburg, Pa 17105-3608	
DIMENSIONS: MM [INCHES]		CHK	G YETTER	5/20/86		
TOLERANCES UNLESS OTHERWISE SPECIFIED:		APVD	R KUZO	5/20/86		
0 PLC ± - 1 PLC ± - 2 PLC ± - 3 PLC ± 0.38 [.015] 4 PLC ± - ANGLES ± -		PRODUCT SPEC	NAME			TAB, FASTON, .312 SERIES
MATERIAL	SEE SHEET 1	FINISH	SEE SHEET 1	APPLICATION SPEC	114-2097	
CUSTOMER DRAWING		WEIGHT	SCALE		8:1	
SCALE		SHEET		2	OF	2
REV		J		RESTRICTED TO		-